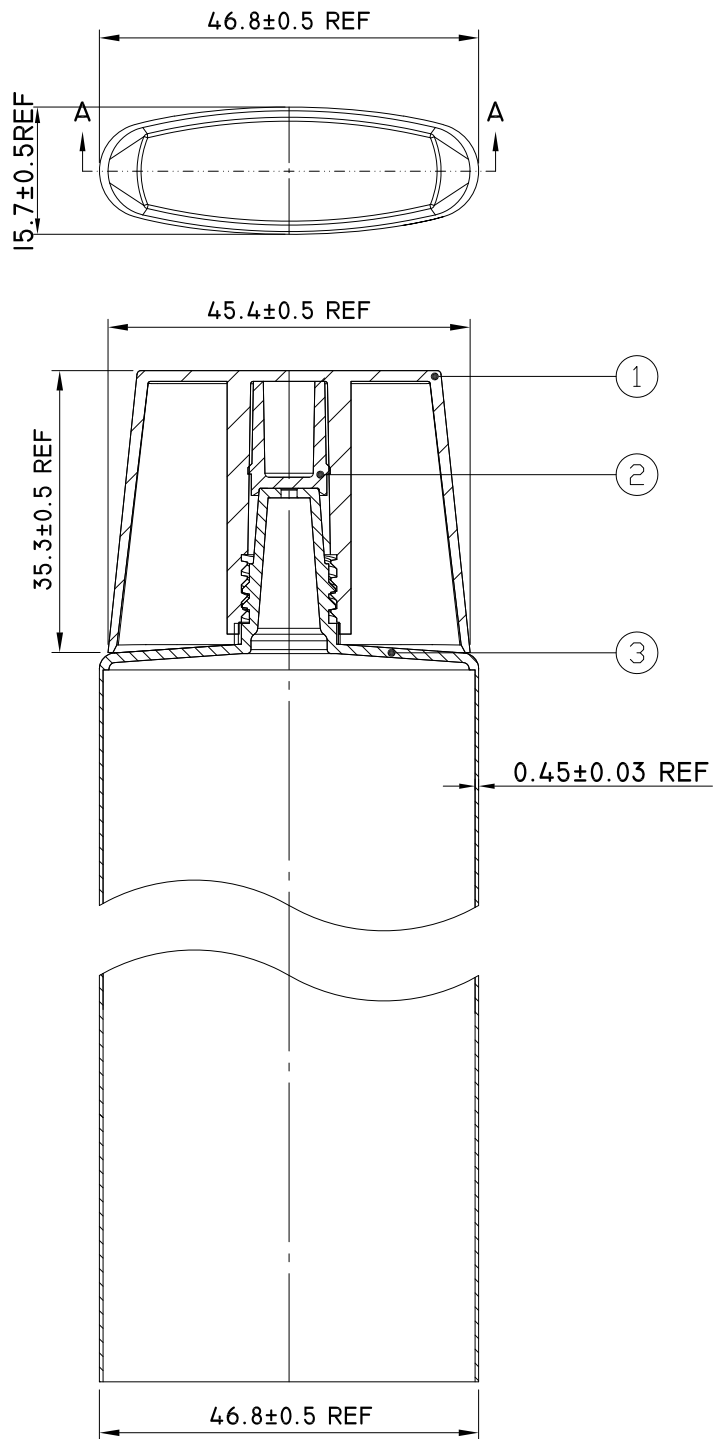


ITEM	DESCRIPTION OF REVISION	REVISED BY	DATE
△			



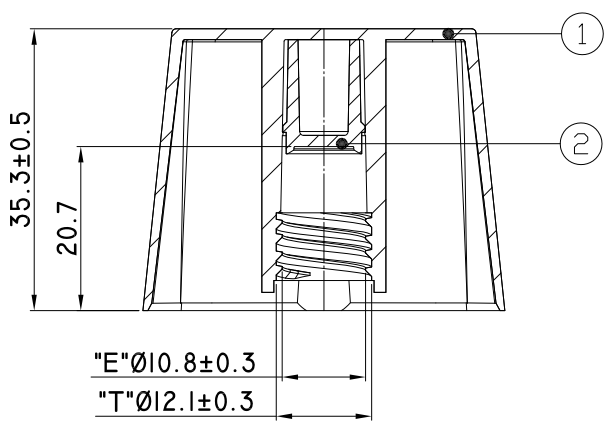
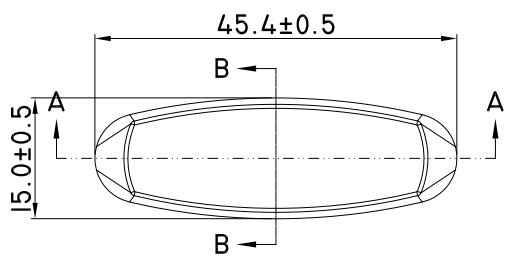
SECTION A-A

3	TUBE	D35-OVALI0	PE
2	PLUG	C13	PE
1	CAP	D35-V46UD	PP
No	PARTS	PART CODE	MATERIALS

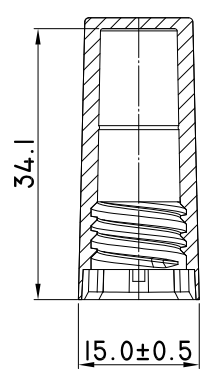
<p><b>PROPRIETARY AND CONFIDENTIAL</b></p> <p>THE INFORMATION CONTAINED IN THIS DRAWING IS THE SOLE PROPERTY OF UDN INTERNATIONAL INC. ANY REPRODUCTION IN PART OR AS A WHOLE WITHOUT THE WRITTEN PERMISSION OF UDN INTERNATIONAL INC. IS PROHIBITED.</p>	Designed <b>DZS</b> 2022/07/15	Drawing Name: D35-OVALI0-D35-V46UD	
	Checked <b>BECK</b> 2022/07/15	Product Name: ASSEMBLY	
	Approved	Drawing/File No.	
	GENERAL TOLERANCES		Scale: 1 : 1
	X.X ±0.2	Unit: mm	View:
	X.XX ±0.15	Don't Scale Drawing	
	ANGULAR X.X ±0.5°		



ITEM	DESCRIPTION OF REVISION	REVISED BY	DATE
△			



SECTION A-A



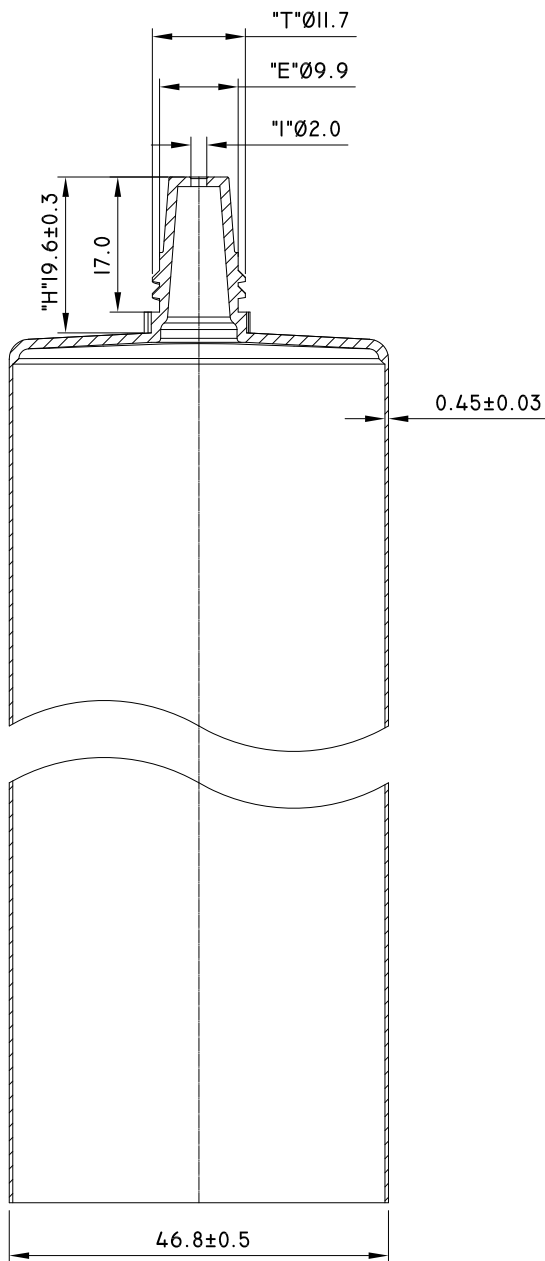
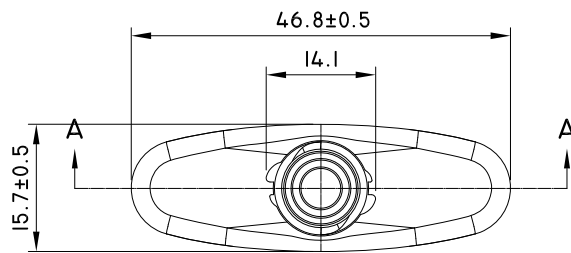
SECTION B-B

2	PLUG	C13	PE
1	CAP	D35-V46UD	PP
No	PARTS	PART CODE	MATERIALS

<p><b>PROPRIETARY AND CONFIDENTIAL</b></p> <p>THE INFORMATION CONTAINED IN THIS DRAWING IS THE SOLE PROPERTY OF UDN INTERNATIONAL INC. ANY REPRODUCTION IN PART OR AS WHOLE WITHOUT THE WRITTEN PERMISSION OF UDN INTERNATIONAL INC. IS PROHIBITED.</p>	Designed	Date	Drawing Name:		D35-V46UD	
	QMX	2021/03/25	Product Name		CAP	
	Checked	Date	Drawing/File No.			
	BECK	2021/03/25	Scale	1 : 1	Material	SEE BOM
	Approved	Date	Unit	mm	View	
GENERAL TOLERANCES		ANGULAR		X.X ±0.5°		Don't Scale Drawing



ITEM	DESCRIPTION OF REVISION	REVISED BY	DATE
⚠			



SECTION A-A

<p><b>PROPRIETARY AND CONFIDENTIAL</b></p> <p>THE INFORMATION CONTAINED IN THIS DRAWING IS THE SOLE PROPERTY OF UDN INTERNATIONAL INC. ANY REPRODUCTION IN PART OR AS A WHOLE WITHOUT THE WRITTEN PERMISSION OF UDN INTERNATIONAL INC. IS PROHIBITED.</p>	Designed <b>DZS</b>	Date <b>2022/07/15</b>	Drawing Name: <b>D35-OVALIO</b>		
	Checked <b>BECK</b>	Date <b>2022/07/15</b>	Product Name <b>TUBE</b>		
	Approved	Date	Drawing/File No.		
	GENERAL TOLERANCES		Scale	1 : 1	Material <b>PE</b>
	X.X	±0.2	Unit	mm	View 
X.XX	±0.15	Don't Scale Drawing			
ANGULAR X.X	±0.5°				

